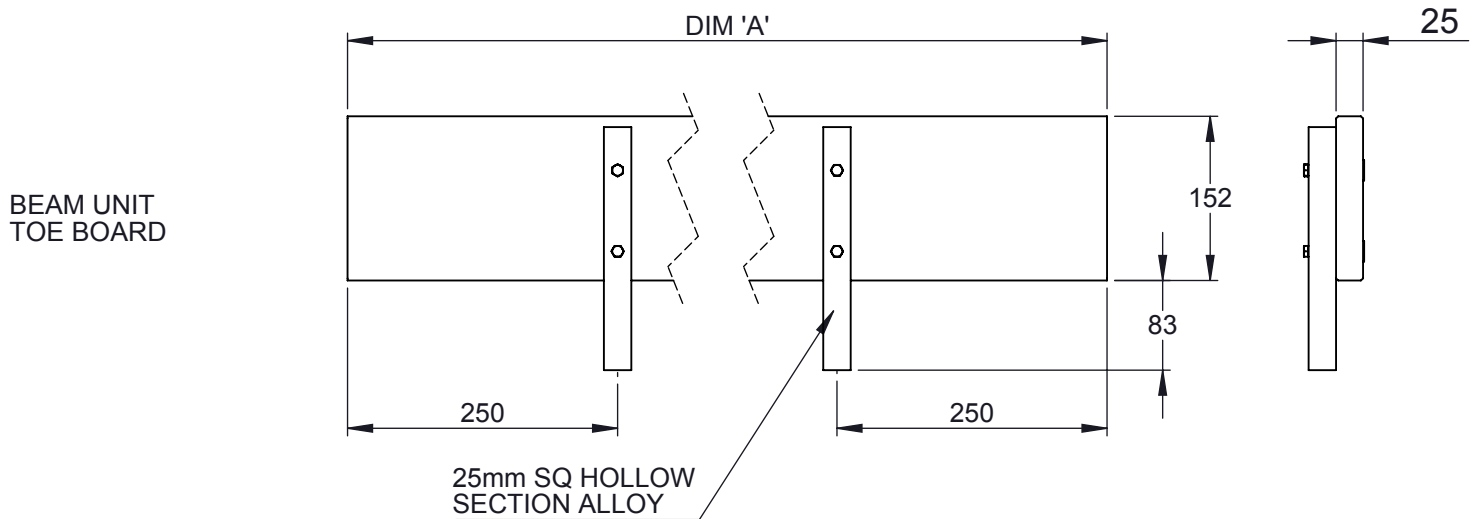
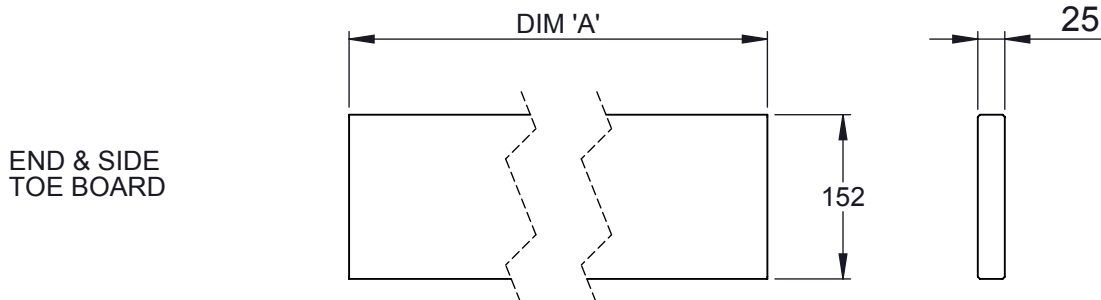
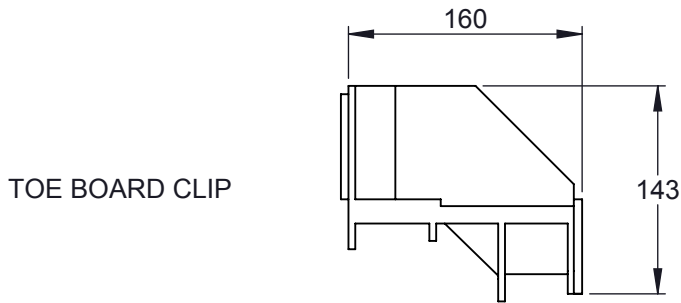


TECHNICAL SPECIFICATION

Note: All dimensions in mm unless otherwise stated



PART NO.	DESCRIPTION	WEIGHT	DIM 'A'
301509	TOE BOARD CLIP	0.3kg	-
302509	0.6m END TOE BOARD	1.0kg	585mm
303509	1.2m END TOE BOARD	2.1kg	1185mm
313509	1.3m SIDE TOE BOARD	2.4kg	1290mm
304509	1.8m SIDE TOE BOARD	3.2kg	1775mm
305509	2.5m SIDE TOE BOARD	4.4kg	2475mm
306509	3.2m SIDE TOE BOARD	7.2kg	3175mm
310509	1.9m BEAM UNIT TOE BOARD	3.6kg	1890mm
311509	2.5m BEAM UNIT TOE BOARD	4.8kg	2490mm
312509	3.1m BEAM UNIT TOE BOARD	5.1kg	3090mm